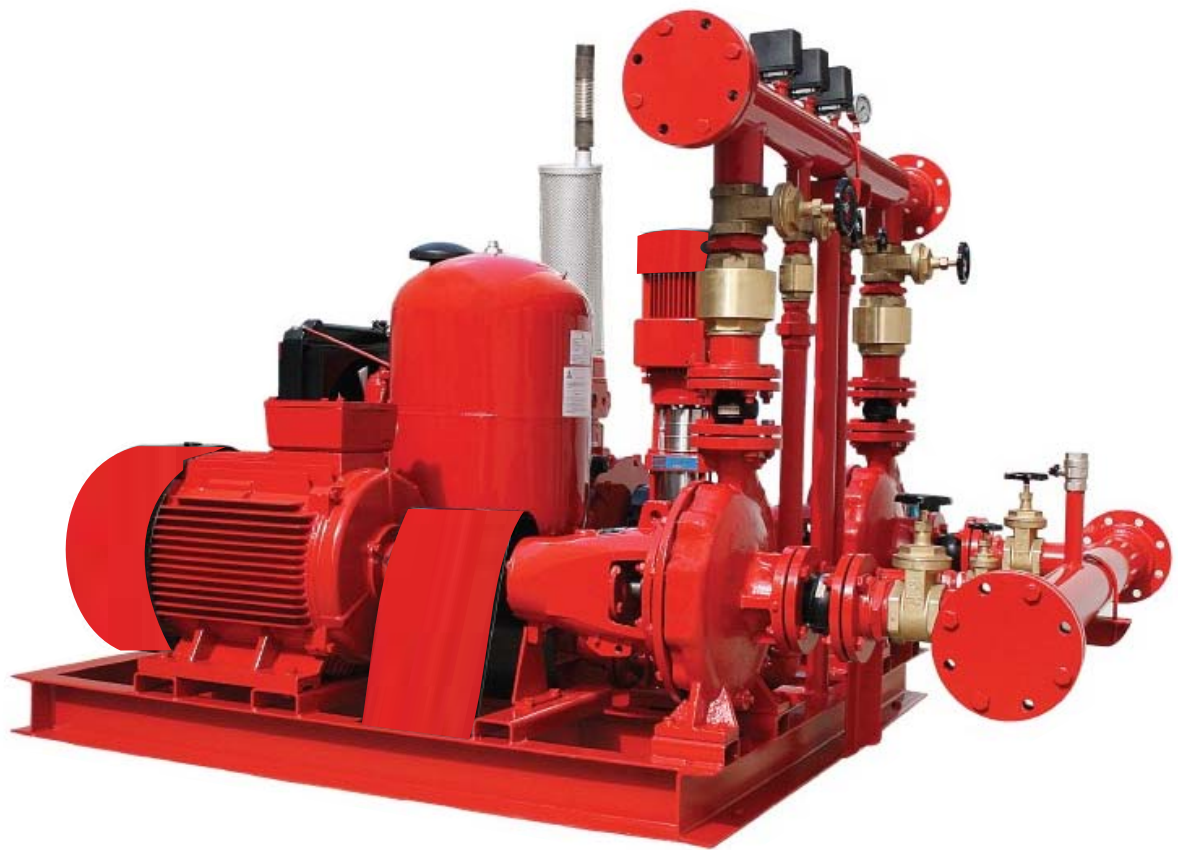


FPS series FIRE PUMP SET



VERSA[®] PUMP



INTRODUCTION

This package consists of one main pump coupled to electric motor, one stand by pump coupled to diesel engine, jockey pump, pressure vessel, controller (s) for manual or automatic operation of system and standard accessories mounted on base frame(s). The electric pump shall be End Suction or Single Stage Horizontal split case multi stage or Horizontal multi stage centrifugal depending on the System capacity and head requirements. Electric motor is squirrel cage industrial type and foot mounted suitable for 3 phase, with required horse power rating. The diesel engine is fixed on the base with anti-vibration rubber pads and the pump is directly coupled to a diesel engine through flexible coupling, According to the power output of the engine, the electrical system can be either 12V or 24 DC.

The diesel engine consists of alternator, started motor, fuel system, lubricating system, exhaust system, etc. The jockey pump is vertically mounted multi stage pump coupled to TEFC, 3 phase motor. The controller shall be either common or individual (1 Electric + Diesel & Jockey) and is fabricated from mild steel and epoxy powder coated to red color. The enclosure is IP 54 rated and having all the required controls complying with the applicable standard (NFPA, LPCB, Local Jurisdiction Authority requirements etc.). The standard Fire Pump set will be complete with pressure switches, pressure gauge, suction & discharge manifolds with gate valves & non-return valves, flexible connectors, battery set for diesel engine etc. All are mounted on a strong common base frame of mild steel and painted red. This Fire Pump set is designed to be installed with the following Fire Protection Systems.

DESCRIPTION

- Hose Reel System.
- Combined System.
- Deluge System (with modifications).
- Stand Pipe System.
- Water Spray Fixed.
- Sprinkler System.

SPECIFICATIONS

Flow Rate	Pressure
300 - 2500 US GPM	5 - 18 Bar



STANDARD MODELS

Rating	Pump Model
300 GPM @ 5 BAR	FPS300/5-EDJ100-145
300 GPM @ 6 BAR	FPS300/6-EDJ100-145
300 GPM @ 7 BAR	FPS300/7-EDJ100-145
300 GPM @ 8 BAR	FPS50/3-EDJ100-145
300 GPM @ 9 BAR	FPS50/9-EDJ100-145
300 GPM @ 9 BAR	FPS50/3-EDJ100-145
300 GPM @ 12 BAR	FPS300/12-EDJ100-145
350 GPM @ 5 BAR	FPS350/6-EDJ100-145
350 GPM @ 6 BAR	FPS350/6-EDJ100-145
350 GPM @ 7 BAR	FPS350/7-EDJ100-145
350 GPM @ 8 BAR	FPS350/8-EDJ100-145
350 GPM @ 9 BAR	FPS350/9-EDJ100-145
350 GPM @ 10 BAR	FPS350/10-EDJ100-145
350 GPM @ 12 BAR	FPS350/12-EDJ200-145
400 GPM @ 5 BAR	FPS400/5-EDJ100-145
400 GPM @ 6 BAR	FPS400/6-EDJ100-145
400 GPM @ 7 BAR	FPS400/7-EDJ100-145
400 GPM @ 8 BAR	FPS400/8-EDJ100-145
500 GPM @ 6 BAR	FPS500/6-EDJ100-145
500 GPM @ 7 BAR	FPS500/7-EDJ100-145
500 GPM @ 8 BAR	FPS500/8-EDJ100-145
500 GPM @ 9 BAR	FPS500/9-EDJ100-145
500 GPM @ 10 BAR	FPS500/10-EDJ100-145
500 GPM @ 11 BAR	FPS500/11-EDJ100-145
500 GPM @ 12 BAR	FPS500/12-EDJ100-145
500 GPM @ 13 BAR	FPS500/13-EDJ100-145
600 GPM @ 10 BAR	FPS500/10-EDJ100-145
600 GPM @ 11 BAR	FPS500/11-EDJ100-145
600 GPM @ 14 BAR	FPS500/14-EDJ200-145
650 GPM @ 7 BAR	FPS650/7-EDJ100-145
750 GPM @ 7 BAR	FPS750/7-EDJ100-145
750 GPM @ 8 BAR	FPS750/8-EDJ200-145
750 GPM @ 9 BAR	FPS750/9-EDJ200-145
750 GPM @ 10 BAR	FPS750/10-EDJ100-145
750 GPM @ 11 BAR	FPS750/11-EDJ200-145
750 GPM @ 12 BAR	FPS750/12-EDJ200-145
750 GPM @ 13 BAR	FPS750/13-EDJ200-145
750 GPM @ 14 BAR	FPS750/14-EDJ200-145
750 GPM @ 15 BAR	FPS750/15-EDJ500-145



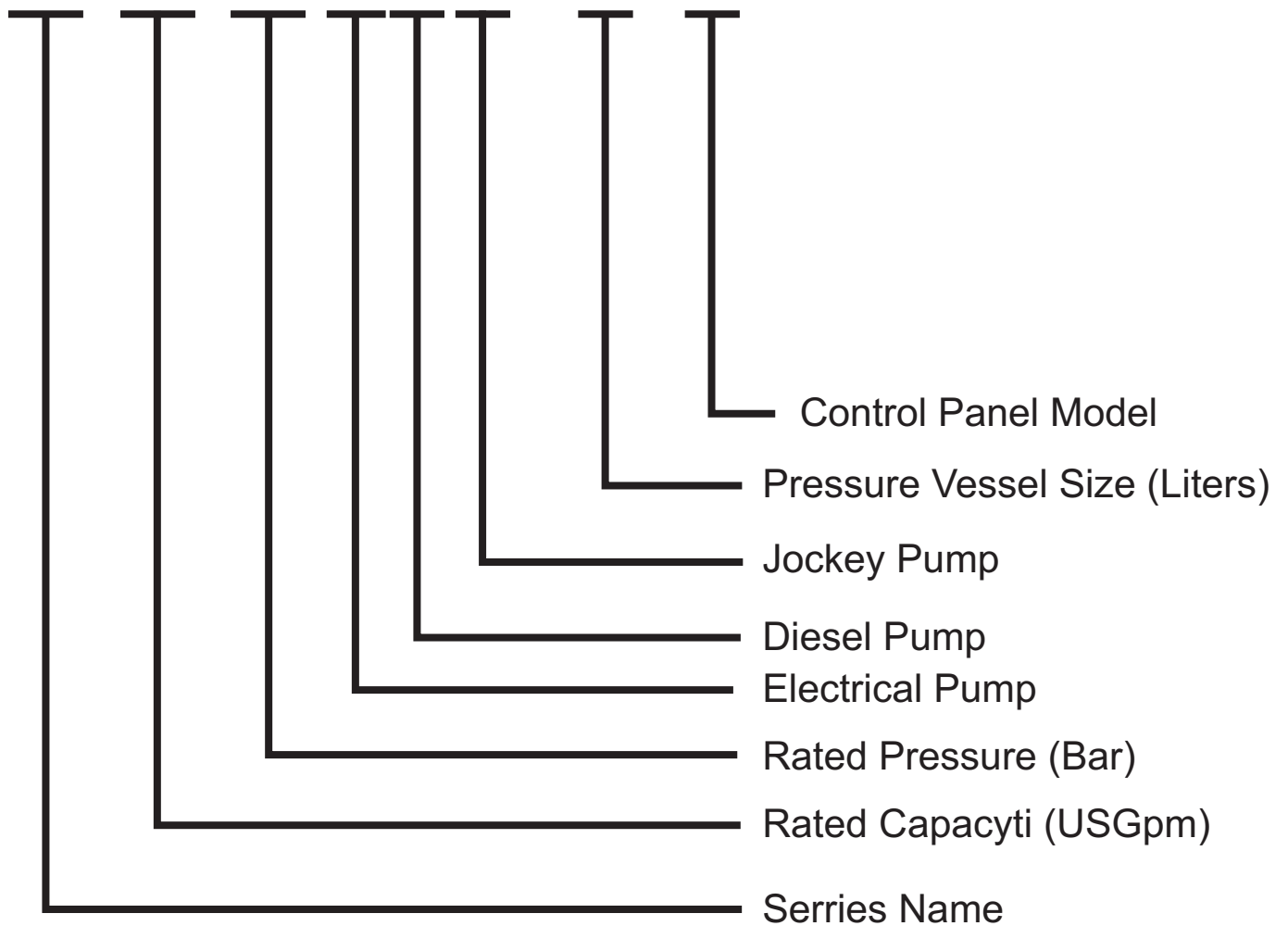
STANDARD MODELS

Rating	Pump Model
750 GPM @ 18 BAR	FPS750/18-EDJ500-145
1000 GPM @ 8 BAR	FPS1000/8-EDJ200-145
1000 GPM @ 9 BAR	FPS1000/9-EDJ200-145
1000 GPM @ 10 BAR	FPS1000/10-EDJ200-145
1000 GPM @ 12 BAR	FPS1000/12-EDJ200-145
1000 GPM @ 7 BAR	FPS1000/7-EDJ200-145
1000 GPM @ 10 BAR	FPS1000/10-EDJ200-145
1250 GPM @ 7 BAR	FPS1250/7-EDJ300-145
1250 GPM @ 10 BAR	FPS1250/10-EDJ300-145
1500 GPM @ 10 BAR	FPS1500/10-EDJ300-145
2200 GPM @ 10 BAR	FPS2200/10-EDJ300-145
2500 GPM @ 10 BAR	FPS2500/10-EDJ500-145
2500 GPM @ 12 BAR	FPS2500/12-EDJ500-145



CONFIGURATION

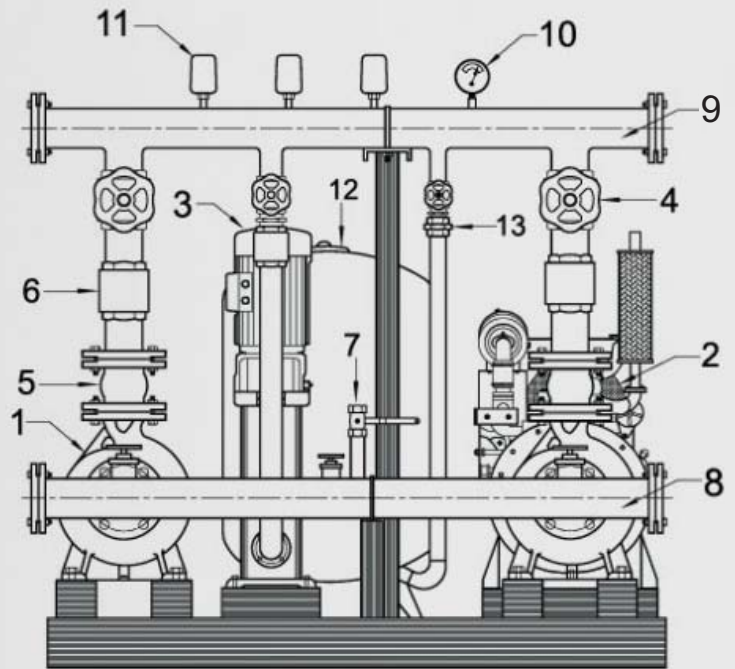
FPS 500 / 8 - E D J 200 - 145



PUMPSET DRAWING

DESCRIPTION

- 1. ELECTRIC PUMP SET
- 2. DIESEL PUMP SET
- 3. JOCKEY PUMP
- 4. GATE VALVE
- 5. FLEXIBLE COUPLING
- 6. NON RETURN VALVE
- 7. BALL VALVE
- 8. SUCTION MANIFOLD
- 9. DELIVERY MANIFOLD
- 10. PRESSURE GAUGE
- 11. PRESSURE SWITCH
- 12. PRESSURE VESSEL
- 13. UNION



FRONT VIEW



