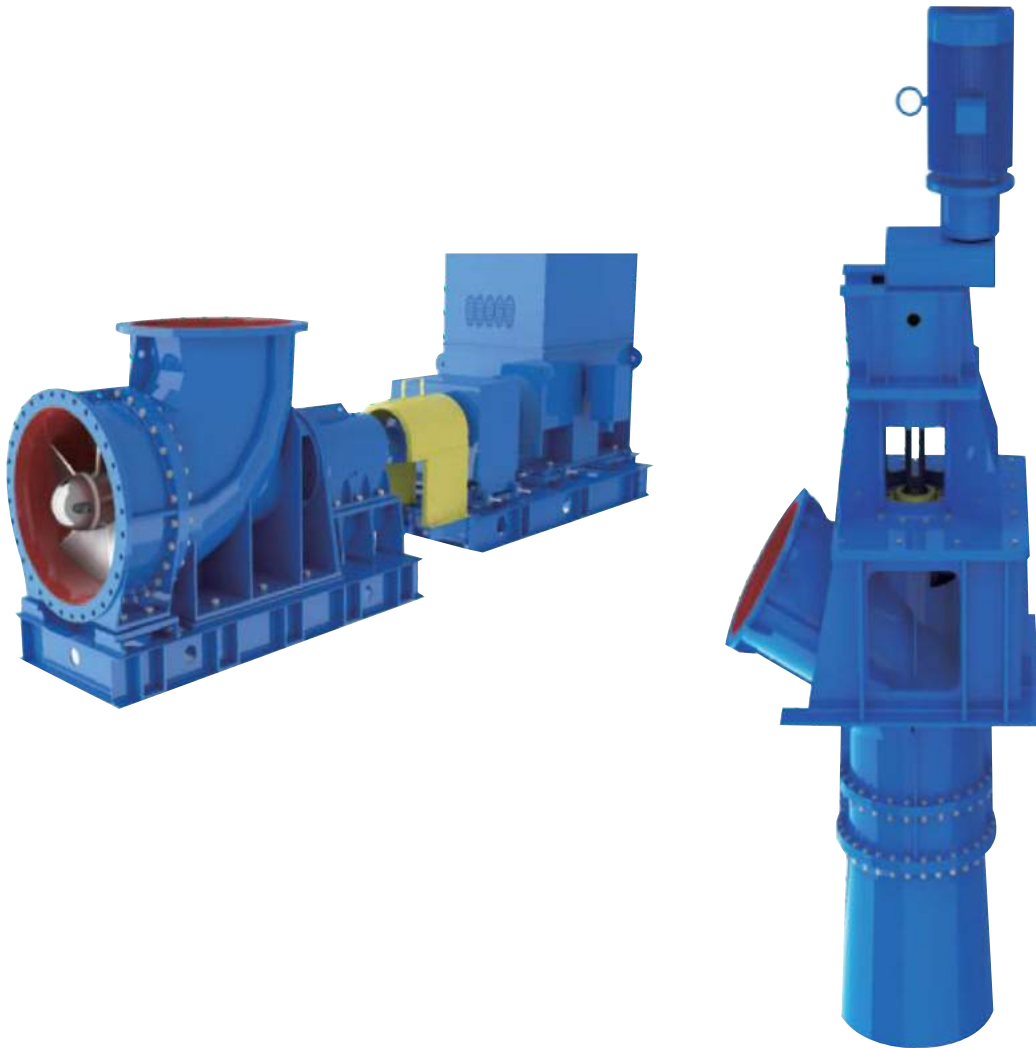


# **AXIAL FLOW PUMP**

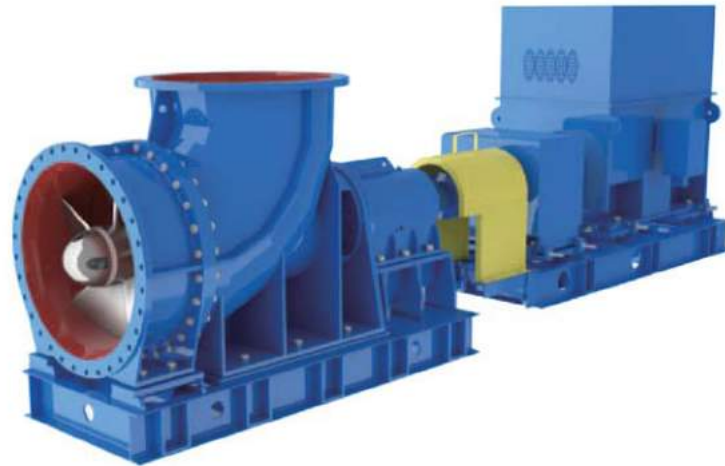
**AF - H Series : Horizontal**

**AF - V Series : Vertical**



**VERSA® PUMP**

**AXIAL FLOW PUMP**  
**AF - H Series**



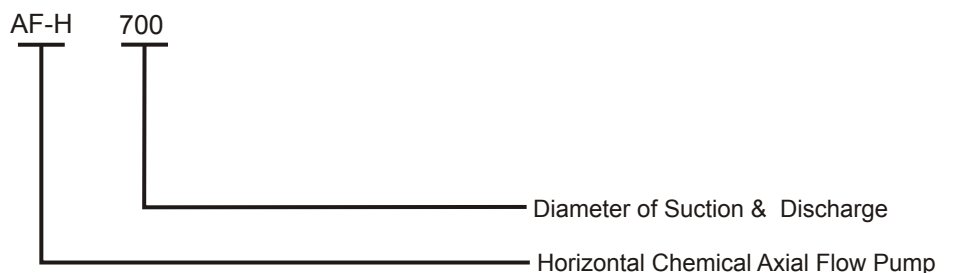
**Brief Introduction**

Axial Flow Series horizontal chemical axial flow pump, designed and manufactured on the basis of advanced technology of foreign countries and national need , is single stage overhung evaporative circulating pump with compact structure, excelent NPSH and high reliability. The pump is suitable for the conditioning of large capacity, low head with solid content less than 35%, and especially applied in the fields of chemical industry, fertilizer, salt, alkali, metallurgy and paper making to meet the requirements of forced circulating, evaporating, crystallizing and chemical reacting.

**Operating Parameter**

Capacity : 500 ~ 19000 m<sup>3</sup>/h  
Head : 2 ~ 10m  
Diameter : 300 ~ 1500mm  
Pressure : ≤ 0.6 Mpa  
Temperature : ≤ 250°C

**Denomination**



# AXIAL FLOW PUMP

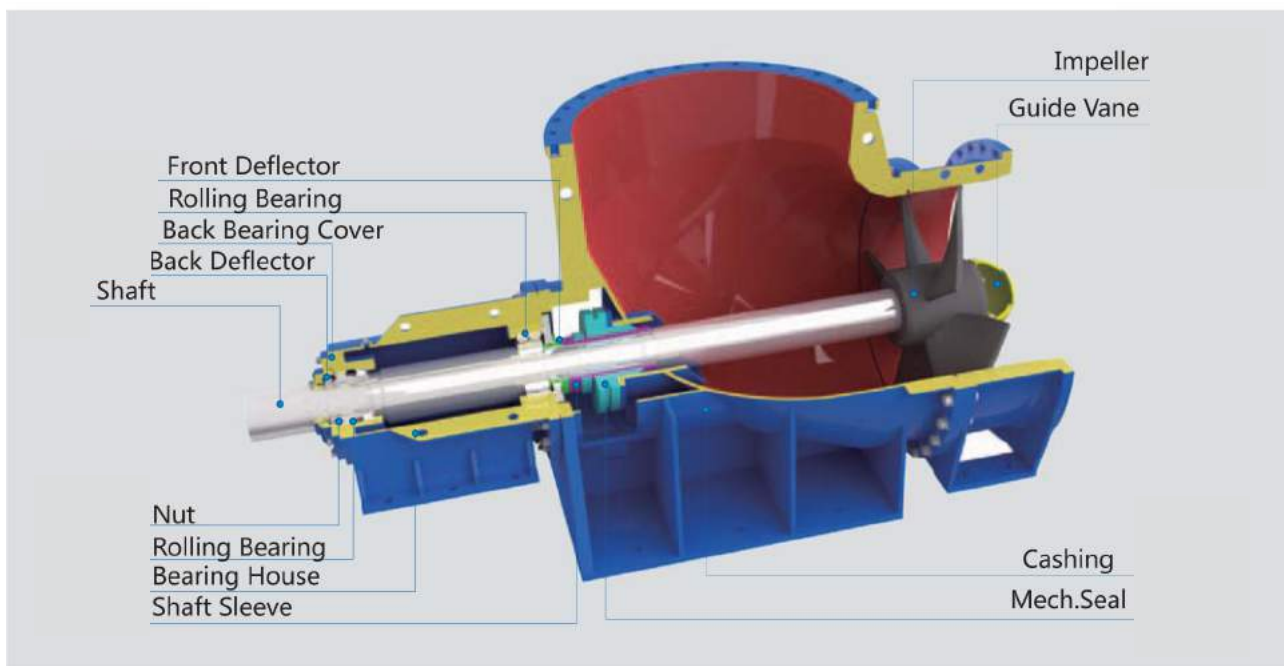
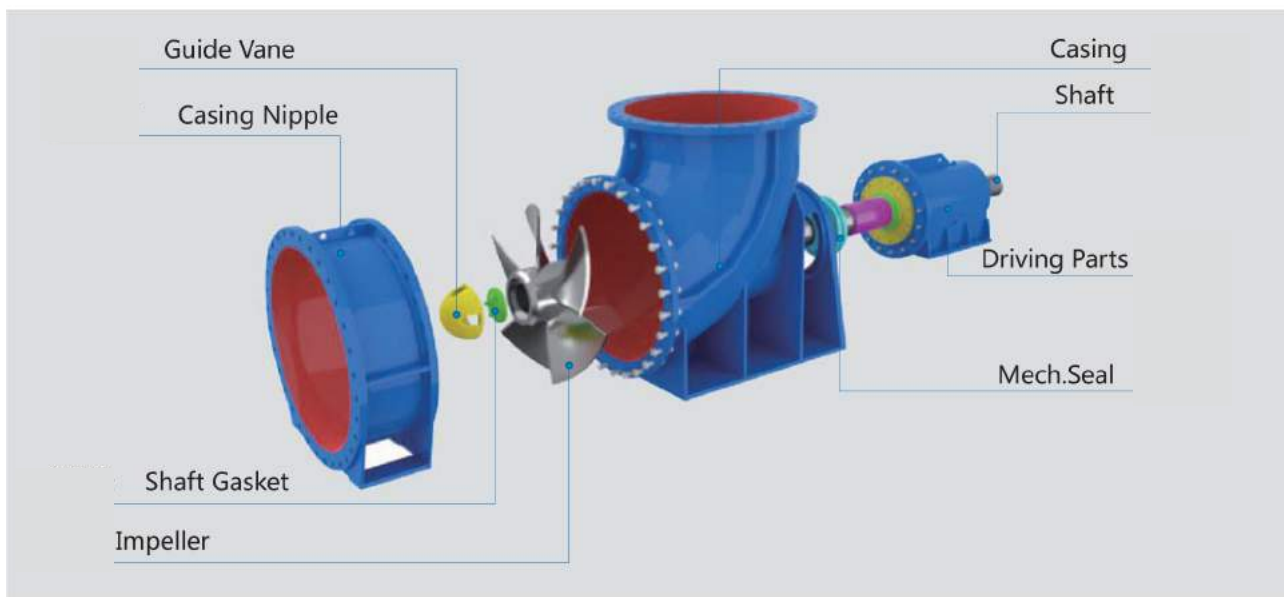
## AF - H Series



### Excellencies of the Design

1Cr18Ni9Ti, CD4MCu, Cr30 ( for impeller & suction pipe ) , 304, 304L, 316, 316L, Mo2Ti, 904 ( UB-6 ) , 20# alloy can be selected.

### Structure



# **AXIAL FLOW PUMP**

## **AF - H Series**



### Features

- Overhung rotor, front-opened structure, easy maintain without casing and pipeline disassembly.
- The impeller is connected with suction pipe if abraded for transporting abrasive medium, it only need to change the suction pipe. To ensure no leakage and improve the pump reliability, liquide resistance packing seal and double-face mechanical seal can be selected as shaft seal.
- Direct drive or drived with belt or speed reducer. Type installation of horizontal vertical and suspend to meet the different conditions

### Performance Parameter

No.	Model	Capacity (m <sup>3</sup> /h)	Head (m)	Speed (r/min)	Efficiency (%)
1	AF-H300	750-800	3-4	740	50~60
2	AF-H350	750-800	3-4	740	50~60
3	AF-H400	800~1500	2.5~5	740	60~76
4	AF-H500	1500~1800	3.5~5	740	57~68
5	AF-H600	2200~3500	3~6	583~590	50~60
6	AF-H700	3500~5000	2~5	407~490	50~60
7	AF-H760	4000~7500	2~5	490~520	50~62
8	AF-H820	7700~8400	4.2~6	490~510	50~75
9	AF-H1100	9000~12000	5.8~6.5	300~400	50~75

**AXIAL FLOW PUMP**  
**AF - V Series**



**Brief Introduction**

The flash evaporation technology of wet phosphoric acid is widely used in the phosphate fertilizer industry. To meet the requirement of phosphoric acid flash evaporation circulating pump, we develop AF-V Series with the efficiency of 75%, which can operate on the condition of large and low head

Beside of phosphate fertilizer industry, the pump is also used in the fields of chemical industry, sewage treatment, paper making, steel, mining, metallurgy to transport corrosion medium.

**Operating Parameter**

Capacity : 500 ~ 19000 m<sup>3</sup>/h  
Head : 2 ~ 10m  
Diameter: 300 ~ 1500mm  
Pressure : ≤0.6Mpa  
Temperature: ≤ 250°C

# AXIAL FLOW PUMP

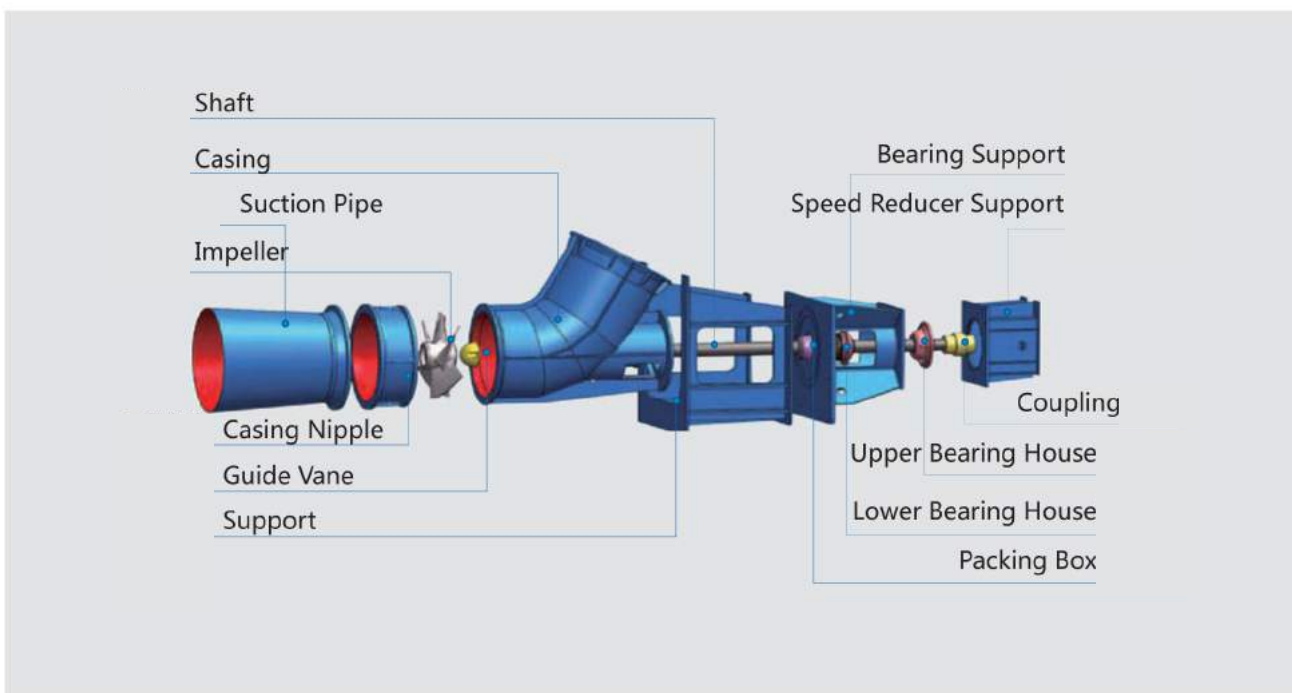
## AF - V Series



**Material selection of Flow Parts** Mo2Ti, Cr30,2605,252004, UB-6 can be selected.

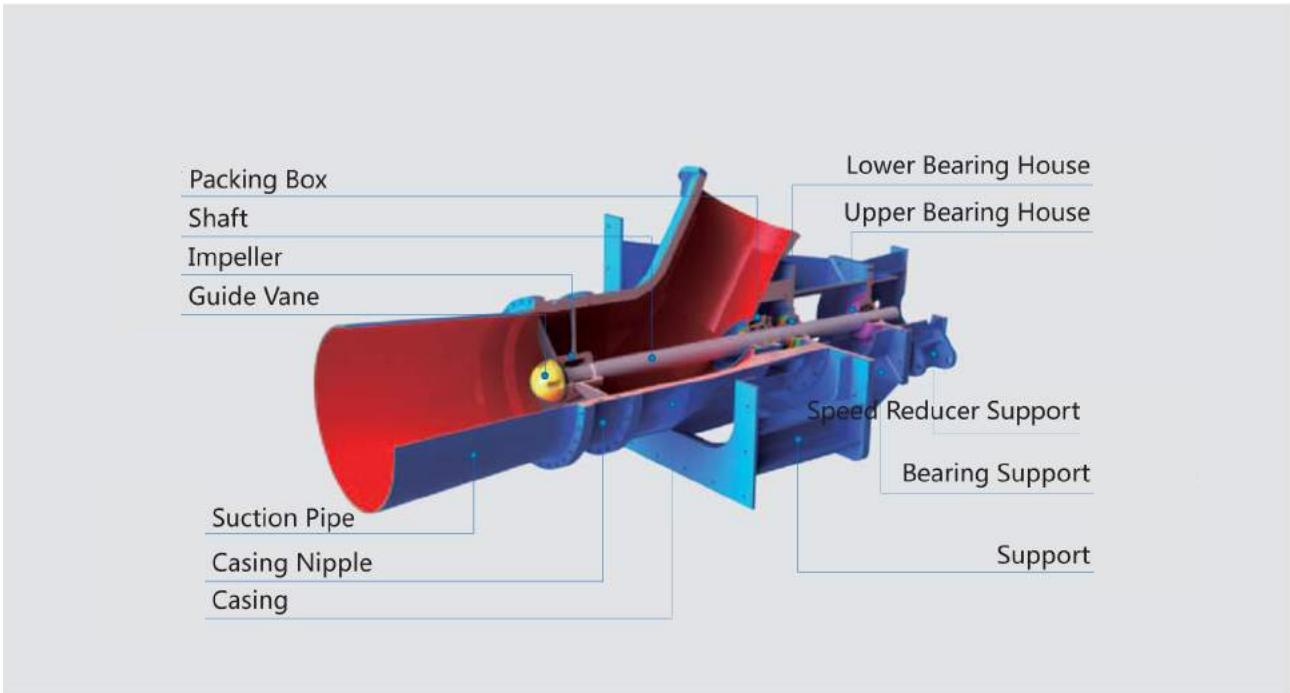
- Features**
- (1) Design two structure according to operation condition , mixture flow pump impeller and shaft impeller .
  - (2) Bearing is design to balance the axial force and radial force, and pump operates more steady and reliable .
  - (3) There are three drive modes of AF - V Series axial flow pump : direct connect, speed reducer and belt drive

### Structure



# AXIAL FLOW PUMP

## AF - V Series



### Performance Parameter

No.	Model	Capacity m <sup>3</sup> /h	Head m	Speed r/min	Efficiency %
1	AF-V200	200~340	3-4	1450	50~60
2	AF-V400	1000	2.2~4	563	50~60
3	AF-V500	1500	4	400	60~76
4	AF-V600	2500	1.8~2.3	370	57~68
5	AF-V700	2500~4500	2.5~3	380~420	50~60
6	AF-V820	5000	4	300	50~60
7	AF-V950	5200~7000	2.5~3	279	50~62
8	AF-V1100	9000	1.2~2.5	220	50~75
9	AF-V1300	13000	1.2~1.25	200	50~75
10	AF-V1500	13000	1.2~1.25	167	50~75