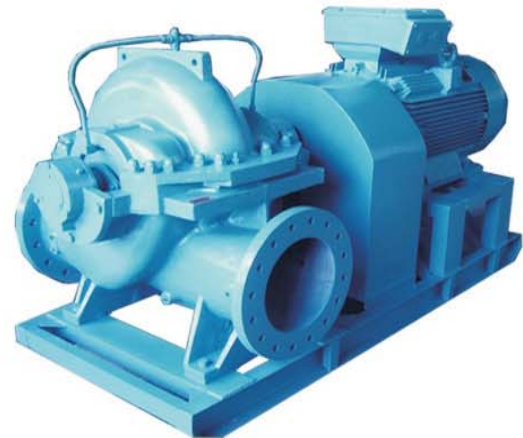


# SC/SCV series

**Axial Split Casing Pump  
Single Stage Double Suction  
Multistage Double Suction  
Split Casing Centrifugal Pump**



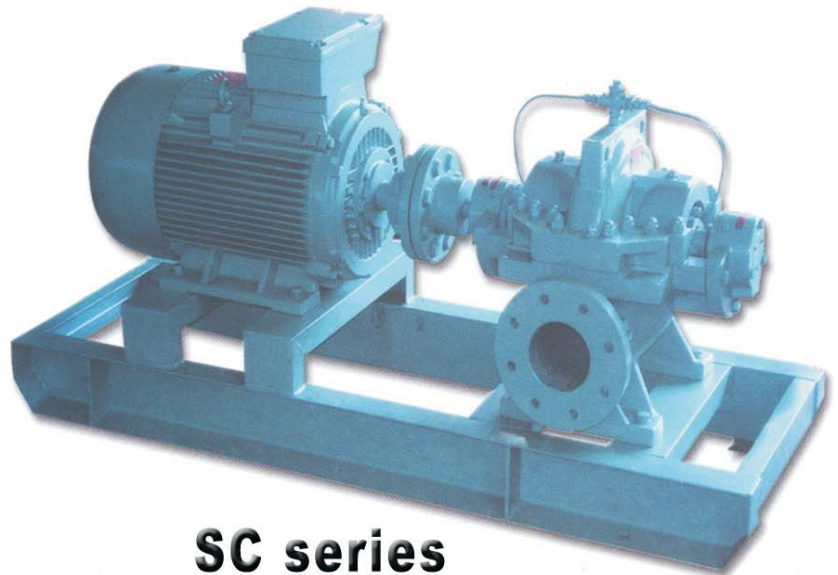
**VERSA<sup>®</sup> PUMP**



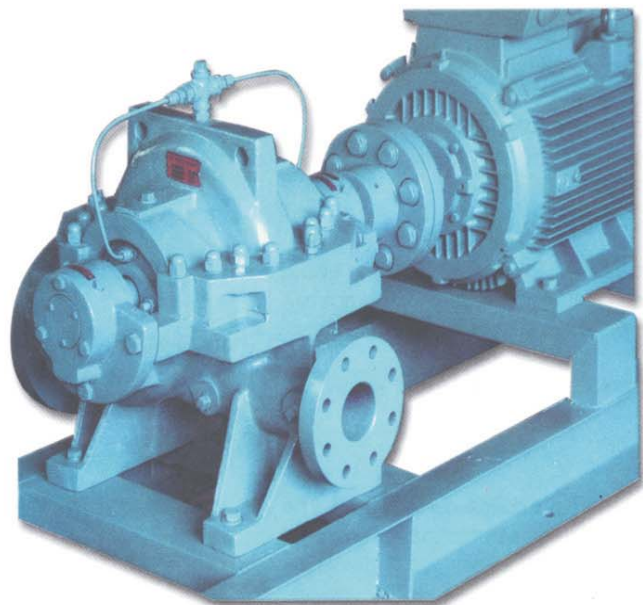
ISO 9001-2008



**SCV series**



**SC series**



**SC series**



**VERSA<sup>®</sup> PUMP**

**A UNIT OF VERSA CORPORATION PTY LTD.  
AUSTRALIA**

## General and Construction

### 1. Applications

Waterworks, Irrigation, Drainage pumping stations, Power stations, Industrial water supply systems & fire fighting applications in refineries.

### 2. Operating data

Pump sizes	DN	80	to	900mm
Capacities	Q	up to		5000l/s
Total heads	H	up to		200m
Operating pressure	P	up to		30bar
Operating temperature	t	up to		+105°C

### 3. Model code

SC series	Horizontal Split Case
SCV series	Vertical Split Case

### 4. Pump Casing

The casing is axially split, which permits removal of the complete rotor without disturbing either piping or the motor.

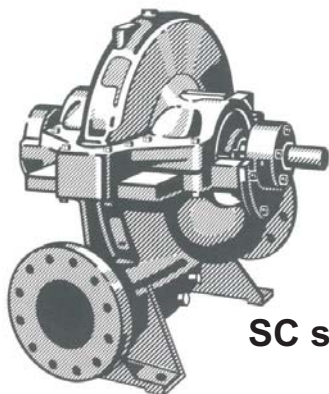
Pumps generating high heads have double volutes to reduce radial forces, ensuring minimal shaft deflection and low bearing loads.

Replaceable wear rings protect the casing at the impeller running clearances. High head pumps are also fitted with replaceable impeller wear rings.

Flanges drilled to ISO, DIN, BS or ANSI.

### 5. Impeller

The closed impellers have double curved vanes. The double suction design gives practically zero axial forces. Each impeller is statically and dynamically balanced according to ISO 1940.



**SC series**

### 6. Bearings

Both sides are grease lubricated deep groove ball bearings, sealed for life. Oil lubrication are also available as optional.

### 7. Shaft seal

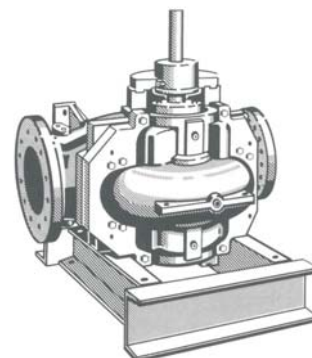
Uncooled soft - packed stuffing box or uncooled single acting. Unbalanced mechanical seal. According to DIN 24960, independent of direction of rotation.

For operating pressure  $\geq 16$  bar balanced mechanical seal is used.

### 8. Materials

	DIN
<b>Volute casing</b>	
Cast iron	GG-25
Ductile cast iron	GGG-40
Cast steel	GS-C25
Stainless steel	1.4581 or 1.4028
<b>Impeller</b>	
Cast iron	GG-25
Bronze	G-CuSn10Zn
Stainless steel	1.4581 or 1.4028
<b>Shaft</b>	
C-steel	C45N
Cr-steel	1.4021
Stainless steel	1.4581
<b>Casing wear rings</b>	
Cast iron	GG-25
Bronze	G-CuSn5ZnPb
Brass	G-CuZn15Si4

Note: 304 or 316 stainless steel pump are also available.



**SCV series**