

HP-series (High Pressure Auto Prime Pump)
TF-series (Trailer Mounted Fire Pump)
AFP-series (Auto Prime Fire Pump)



HP-series (High Pressure Auto Prime Pump)

TF-series (Trailer Mounted Fire Pump)

AFP-series (Auto Prime Fire Pump)

Features

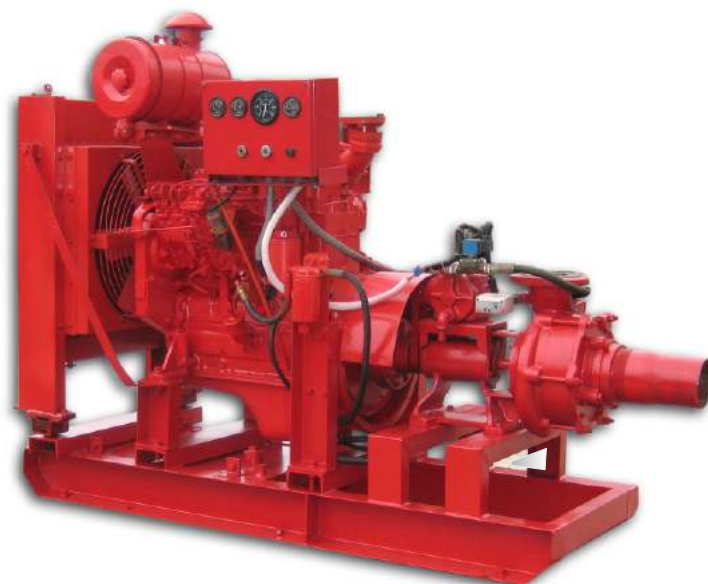
HP-series (High Pressure Auto Prime Pump)

Are centrifugal multistage/single stage pump with a fully automatic priming system built into the design. This enables the pump to self-prime from completely dry condition, even with extended suction lines. Liquid is not required to prime the pump and therefore, in temporary dry trench conditions, the pump will “Snore” until such time as liquid is available.



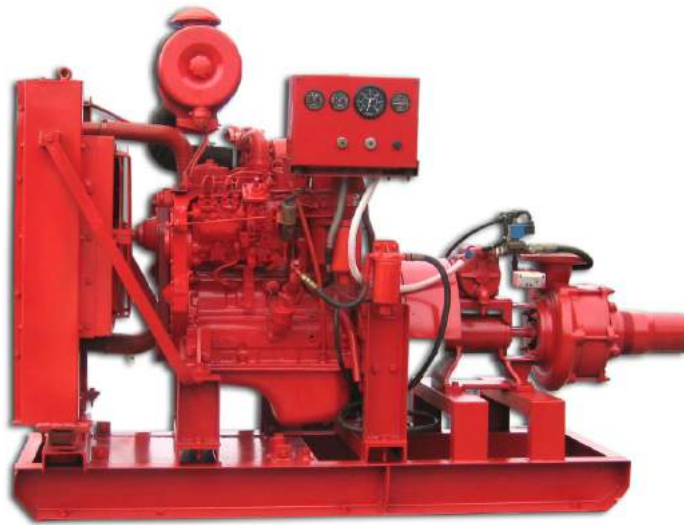
The Priming System

The priming system utilizes a standard vacuum pump (Vacumat-Full Automatically).
Suction Lift : 6 metres (Liquid go into the pump within 10 seconds).
Normal operating period in 40-45 seconds (Vacumat Stop, Pump Working Normally).





Pump's Material	Standard	Optional 1	Optional 2
- Casing	Cast Iron	Aluminium	Stainless Steel
- Impeller	Cast Iron	Bronze	Stainless Steel
- Shaft	Carbon Steel	Chrome Nickel	Stainless Steel
- Shaft Sleeve	Carbon Steel	SS 316	Stainless Steel
- Shaft Seal	Mechanical Seal	Mechanical Seal	Mechanical Seal



Application

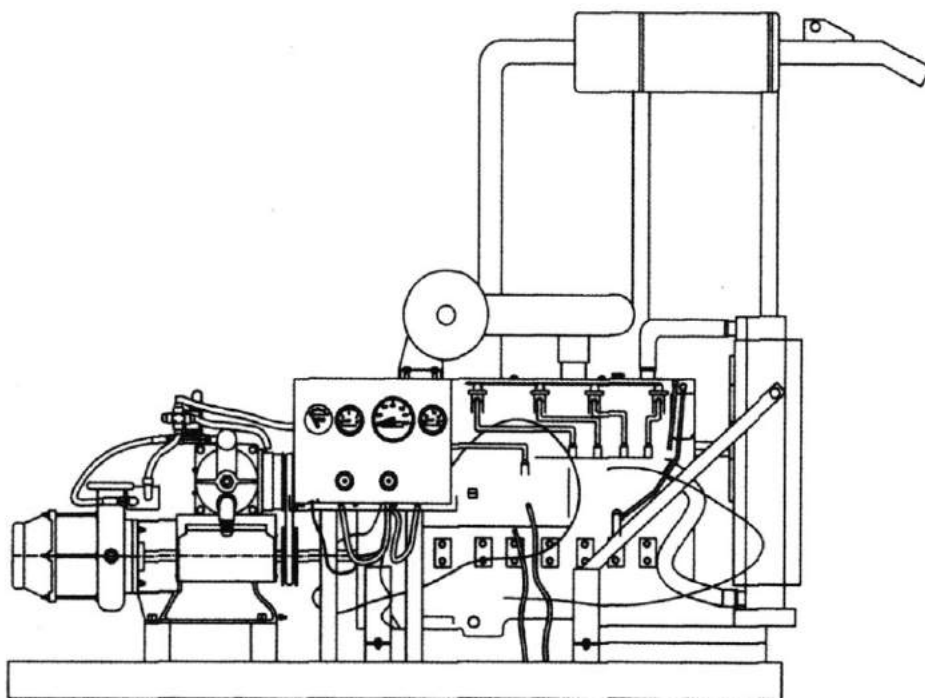
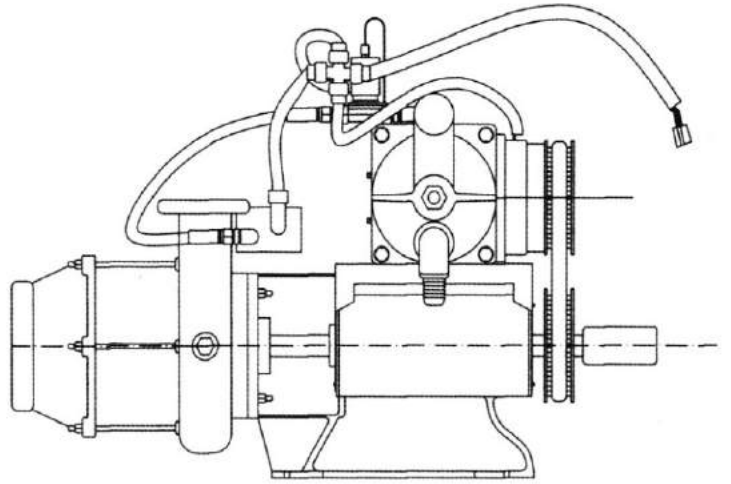
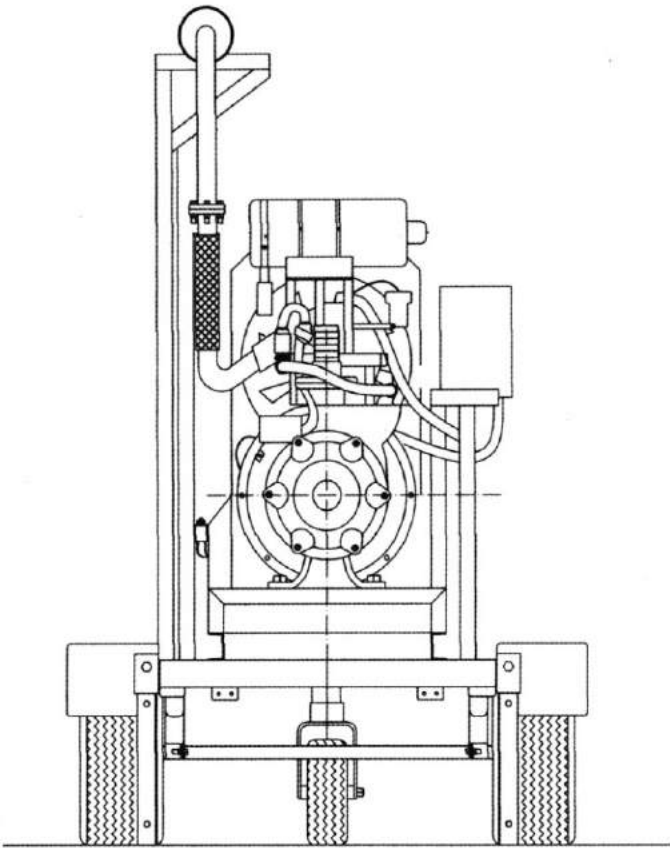
- Power Plant
- Petrochemical Industrial
- Chemical Industrial
- Oil & Gas Refneries
- Nuclear Plant
- Forestry
- Mining
- Public Area
(Commercial Building, Airport, etc)
- Municipal
- Construction Works
- Steel Mill Industries
- Harbour /Port Utilities
- Pulp & Paper Industries
- Fertilizer Plant
- Etc





VERSA® PUMP

Dimension - Drawing



Fire Fighting Centrifugal Pump

AFP - VM series

Pump

- Centrifugal Pump, Single Stage
- Suction inlet: Flange
- Pressure Outlet: Flange

Pump Performance

- Up to 8000 L/m at 10 bar and 6m suction height.

Appilication

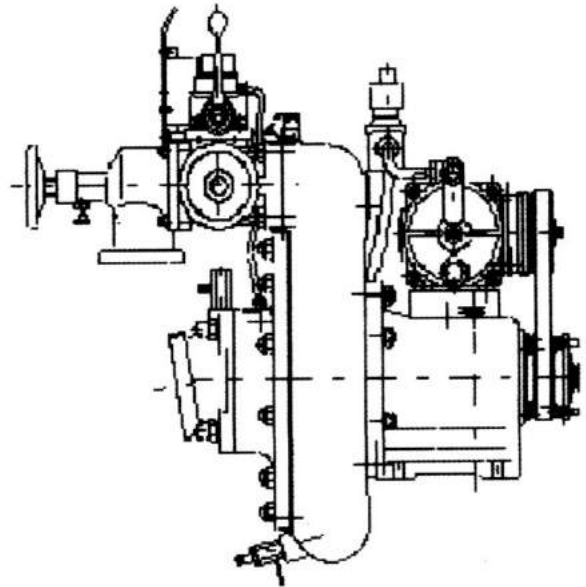
- Vehicle Mounted pump for fire trucks, trailers and frames, useable as stationary system with diesel engine.

Priming System

- "VACUMAT", full-automatically

Accessories

- Suction inlet: flange with thread, flap, ball valve or butterfly valve; tank-pipe.
- Pressure outlet: with various valve types, monitor outlets, tank-filling pipe coupling system as desired panels



AFP - VM 1020



AFP - VM 1040



AFP - VM 1030



AFP - VM 2270